



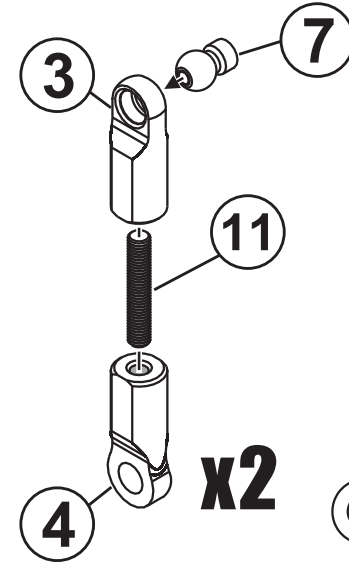
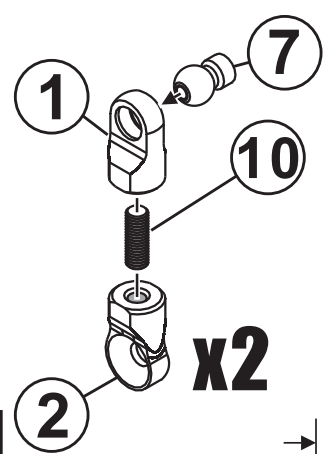
KMB010

Anti Roll Bar Set For Mini-Z Buggy

www.rcatomic.com

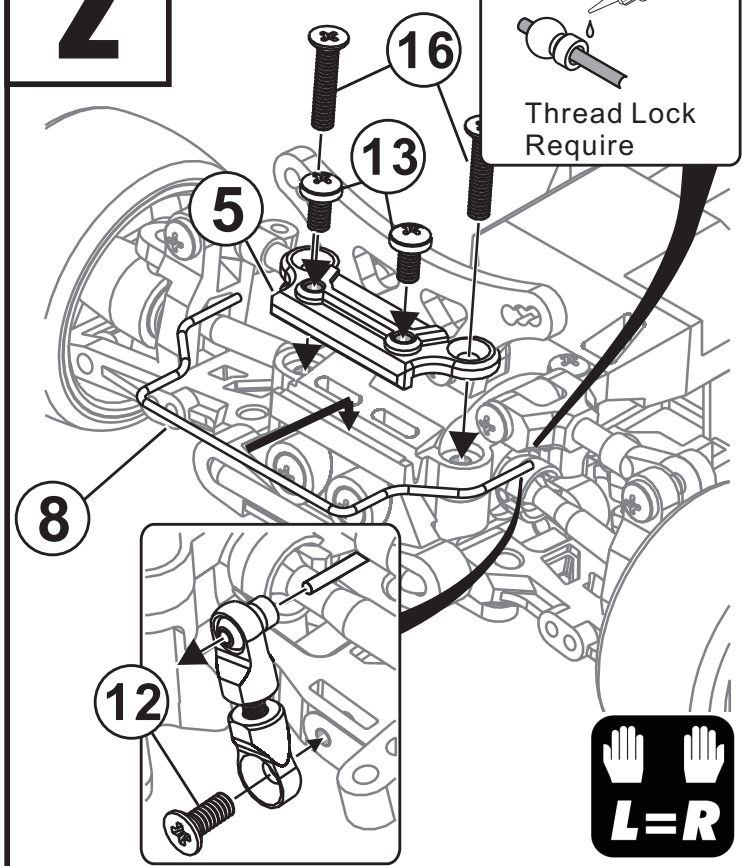
Part No. KMB005 should be required for Anti Roll Bar Set installation.

1

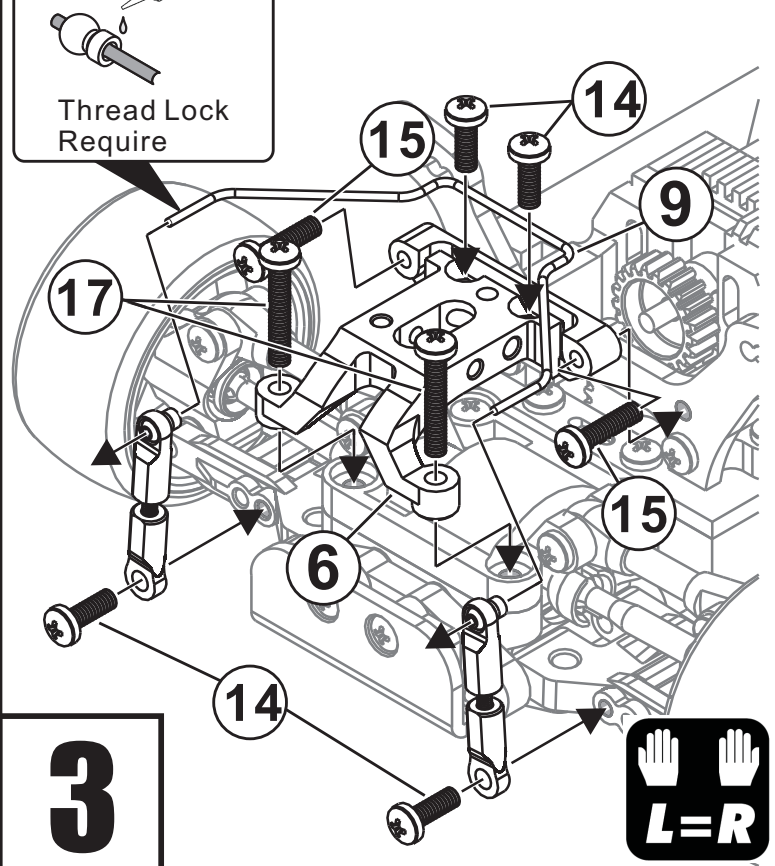


2

Front



Rear



3

3

Package Included

- 1. Front Ball Joint-1
- 2. Front Joint-2
- 3. Rear Ball Joint-1
- 4. Rear Joint-2
- 5. Front Roll Bar Cover
- 6. Rear Roll Bar Stand
- 7. Pivot Ball
- 8. Front Roll Bar-Hard(Golden)
Front Roll Bar-Soft(Silver)
- 9. Rear Roll Bar-Hard(Golden)
Rear Roll Bar-Soft(Silver)
- 10. M1.4x4 Set Screw
- 11. M1.4x10 Ser Screw
- 12. M1.5x4 KB Screw
- 13. M2x4 PB Screw
- 14. M2x6 PM Screw
- 15. M2x8 PB Screw
- 16. M2x10 KB Screw
- 17. M2x12 PB Screw